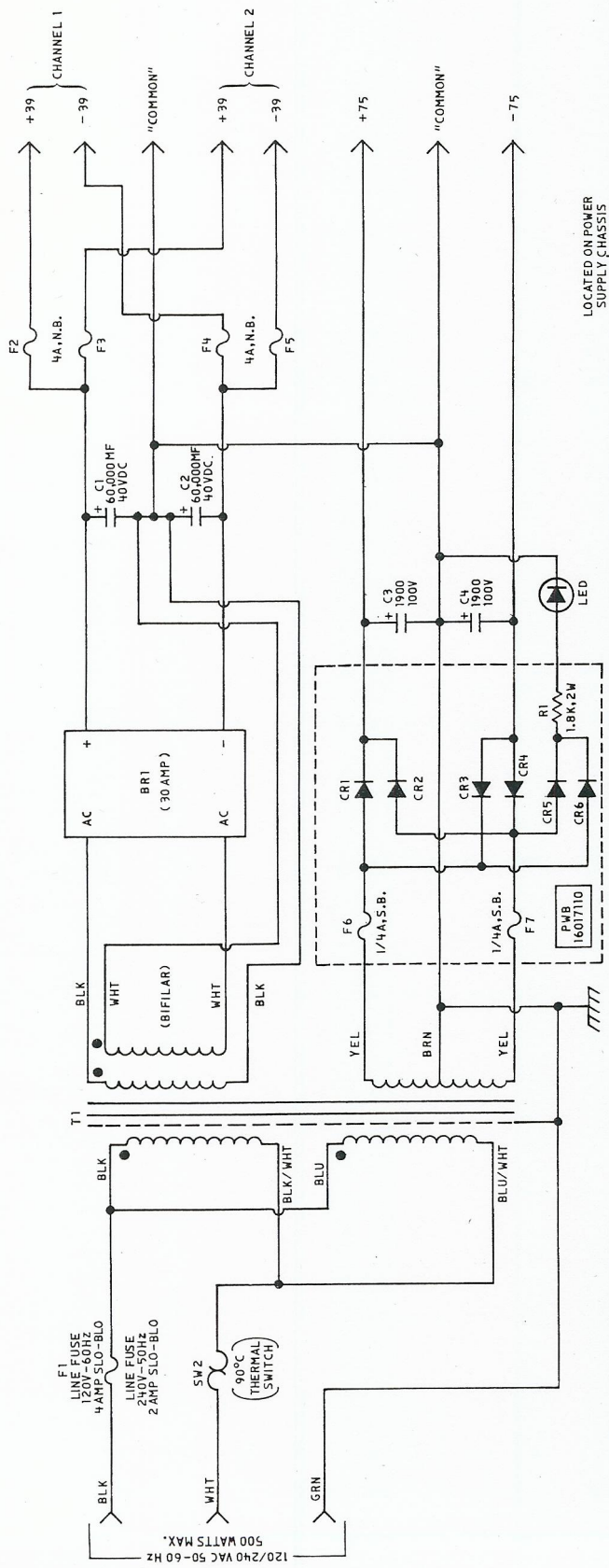


MODEL D-52B POWER AMPLIFIER
SCHEMATIC & PARTS LIST

audio research corporation

2843 TWENTY-SIXTH AVENUE SOUTH
MINNEAPOLIS, MINNESOTA 55406

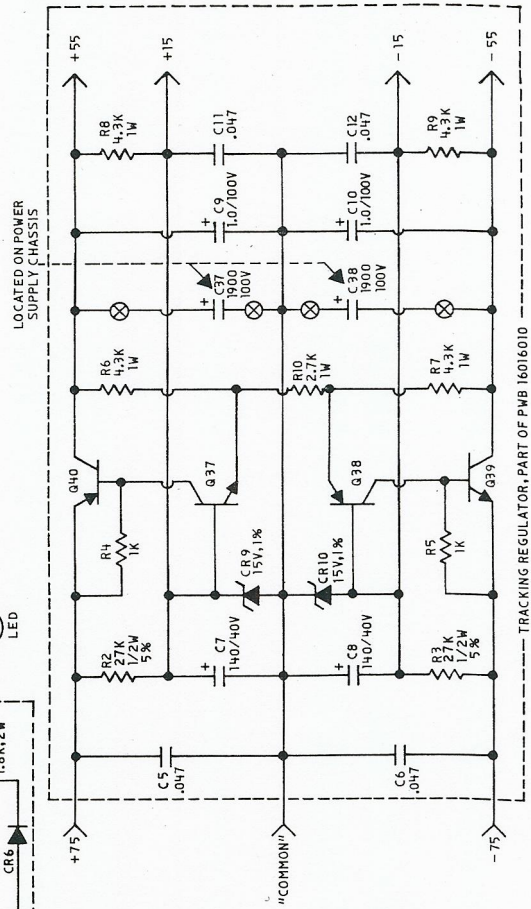


TRANSFORMER PRIMARY WIRING
LEAD CONNECTIONS

VOLTAGE	LEAD CONNECTIONS
120 VAC	BLU TO BLK, BLK/WHT TO BLU/WHT
240 VAC	BLK/WHT TO BLU

(120 VAC WIRING SHOWN)

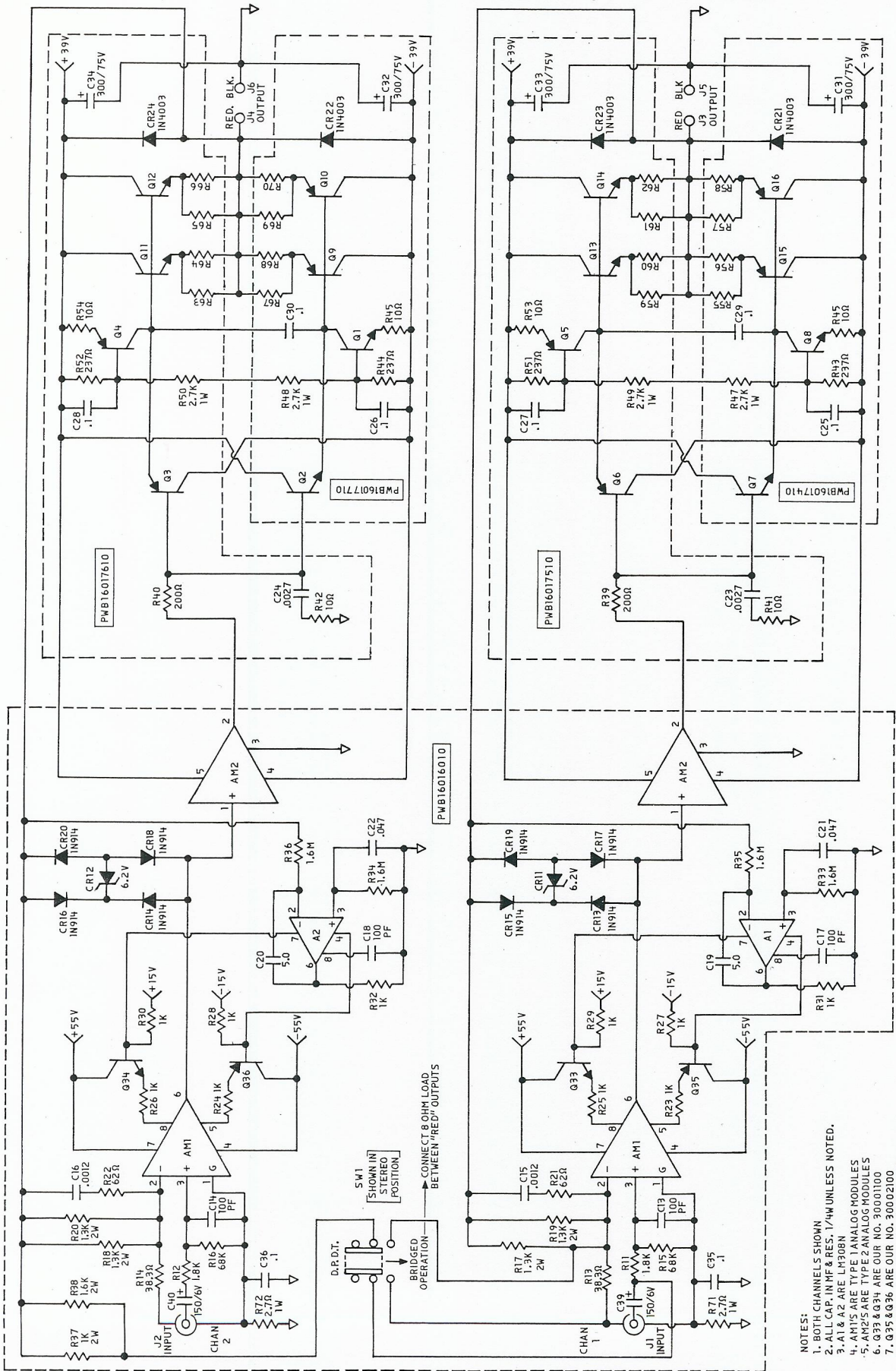
- NOTES:
1. - CR1-CR6 ARE 1N4003
 2. - BR1 = VARGO VIK2H
 3. - SW2 MOUNTED ON HEAT SINK ASSEMBLY
 4. - ALL CAP. IN MF & RES. 1/4W UNLESS NOTED
 5. - Q37, 38 ARE M.P., OUR NO. 30001100 & 30002100
 6. - Q39, 40 ARE M.P., OUR NO. 30002400 & 30002500



TRACKING REGULATOR, PART OF PWB 16016010

PROPRIETARY NOTICE
THIS PRINT CONTAINS PATENTED AND/OR OTHER INFORMATION OF AUDIO RESEARCH CORPORATION AND IS FURNISHED ON A CONFIDENTIAL BASIS FOR IDENTIFICATION PURPOSES ONLY.

TOLERANCES (EXCEPT AS NOTED)	MINNEAPOLIS, MINNESOTA	SCALE	DATE	APPROVED BY
ORIGINAL				RL
FRACTIONAL				
ANGULAR				
	AUDIO RESEARCH CORPORATION		8-6-79	
			DATE	
			DRAWING NUMBER	
				910059-10A



- NOTES:
1. BOTH CHANNELS SHOWN
 2. ALL CAP. IN HF & RES. 1/4W UNLESS NOTED.
 3. A1 & A2 ARE LM390N
 4. AM1'S ARE TYPE ANALOG MODULES
 5. AM2'S ARE TYPE Z ANALOG MODULES
 6. Q33 & Q34 ARE OUR NO. 300010100
 7. Q35 & Q36 ARE OUR NO. 300021000
 8. Q37 & Q38 ARE OUR NO. 300025001
 9. Q39 & Q40 ARE OUR NO. 300027000
 10. Q41, Q42, Q43, Q44 ARE OUR NO. 300028000
 11. Q45 & Q46 ARE OUR NO. 300029000
 12. R35-70 ARE 1.0% ± 1/4W 5%

TOLERANCES (EXCEPT AS NOTED)		AUDIO RESEARCH CORPORATION MINNEAPOLIS, MINNESOTA	
DIGITAL	FRACTIONAL	DATE	8-6-79
APPROVED BY	DESIGNED BY	TITLE	D-52B AMPLIFIER (SHEET 2 OF 2)
DATE	8-6-79	DRAWING NUMBER	910059-10 A

PROPRIETARY NOTICE
 THIS PRINT CONTAINS PATENTED AND/OR OTHER
 INFORMATION CONSIDERED PROPRIETARY BY
 AUDIO RESEARCH CORPORATION AND IS FURNISHED
 ON A CONFIDENTIAL BASIS FOR IDENTIFICATION
 PURPOSES ONLY.

D-52B PARTS LIST

<u>COMPONENT</u>	<u>QUAN.</u>	<u>DESCRIPTION</u>	<u>VALUE</u>	<u>RATING</u>	<u>TOL.</u>	<u>ARC PART NO.</u>
AM1	2	Type AM1, Analog Module				AM-1
AM2	2	Type AM2, Analog Module				AM-2
A1, A2	2	LM308N Op-Amp				31000300
Q1, 2, 7, 8, 39	5	NPN				300024XX
Q3, 4, 5, 6, 40	5	PNP				300025XX
Q9, 10, 15, 16	4	PNP				300027XX
Q11-14	4	NPN				300026XX
Q33, 34, 37	3	NPN				30001100
Q35, 36, 38	3	PNP				30002100
CRI-6, 21-24	10	1N4003				30501700
BR1	1	VK248				30501900
R1, 11, 12	3	Carbon Comp.	1.8K	2W	5%	41180305
R2, R3	2	Carbon Comp.	27K	½W	10%	40270403
R4, 5, 23-30	10	Metal Film	1K	½W	1%	42100302
R6-9	4	Metal Film	4.3K	1W	2%	46430301
R10, 47-50	5	Metal Film	2.7K	1W	2%	46270301
R13, R14	2	Metal Film	38.3Ω	½W	1%	42383102
R15, R16	2	Carbon Comp.	68K	½W	5%	41680402
R17-20	4	Metal Film	1.3K	2W	2%	46130301
R21, R22	2	Carbon Comp.	62Ω	½W	5%	41620102
R31, R32	2	Carbon Comp.	1K	½W	5%	41100302
R33-36	4	Carbon Comp.	1.6M	½W	5%	41160602
R37	1	Metal Film	1K	2W	2%	46100301
R38	1	Metal Film	1.6K	2W	2%	46160301
R39, R40	2	Carbon Comp.	200Ω	½W	5%	41200202
R41, R42	2	Carbon Comp.	10Ω	½W	5%	41100102
R43, 44, 51, 52	4	Metal Film	237Ω	½W	1%	42237202
R45, 46, 53, 54	4	Metal Film	10Ω	½W	1%	42100102
R55-70	16	Wire Wound	1.0Ω	2W	5%	43100002
R71, 72	2	Carbon Comp.	2.7Ω	1W	5%	41270004
CR9, CR10	2	0.5M15ZS1	15V	500MW	1%	30501800
CR11, CR12	2	1N5234B	6.2V	500MW	5%	30502100
CR13-20	8	1N914				30500900
C1, C2	2	Electrolytic	60,000μF	40V	-10/+75%	50601000
C3, C4, 37, 38	2	Electrolytic	1900μF	100V	-10/+75%	50190900
C5, 6, 11, 12, 21, 22	6	Metalized Mylar	.047μF	200V	10%	53470401
C7, C8	2	Electrolytic	140μF	40V	-10/+75%	50140801
C9, C10	2	Metalized Mylar	1.0μF	100V	10%	53100600
C13, 14, 17, 18	4	Dipped Silver Mica	100pf	500V	5%	57100201
C15, C16	2	Metalized Mylar	.0012μF	200V	10%	53120301
C19, C20	2	Metalized Mylar	5.0μF	200V	10%	53500601
C23, C24	2	Metalized Mylar	.0027μF	200V	10%	53270301
C25-30, 35, 36	8	Metalized Mylar	.1μF	200V	10%	53100503
C31-34	4	Electrolytic	300μF	75V	10%	50300802
C39, 40	2	Tantalum	150μF	6V	10%	51150801
F1	1	MDX-4 Amp	4A	125V		34500701
F1	1	MDX-2 Amp	2A	250V		34501301
F2-5	4	312004/MTH4	4A	250V		34500702
F6, F7	2	MDV-1/4 Amp	¼A	250V		34500101
T1	1	AM8584				60003500
SW1	1	MSS-204NG				24100500
SW2	1	3450-056-077				24300100
LED	1	3505G-Green				34300100
J1, J2	2	Phono Jack				23201000
J3, J4	2	Binding Post-Red				23102500
J5, J6	2	Binding Post-Black				23102600